

### Description

- The CP2102 is a highly-integrated USB-to-UART bridge controller providing a simple solution for updating RS-232 designs to USB using a minimum of components and PCB space. Offering Baud rates aliasing and supporting additional data formats, the CP2102 is a pin-to-pin upgrade from CP2101. The CP2102 also includes a USB 2.0 full-speed function controller, USB transceiver, oscillator, EEPROM and asynchronous serial data bus (UART) with full modem control signals in a compact 5 x 5 mm MLP-28. No other external USB components are required.

### Example Applications

- Upgrade of RS-232 legacy devices to USB
- Cellular phone USB interface cable
- PDA USB interface cable
- USB to RS-232 serial adapter

### Virtual Com Port Drivers

- Works with existing COM port applications
- Royalty-free distribution license
- Windows 98SE/2000/XP
- MAC OS-9
- MAC OS-X
- Linux 2.40

### Supply Voltage

- Self-powered: 3.0–3.6 V
- USB bus powered: 4.0–5.25 V

**Temperature Range: –40 to +85 °C**

### Features

#### USB Function Controller and Transceiver

- USB specification 2.0 compliant; full-speed (12 Mbps)
- Integrated 1024-byte EEPROM for custom Baud rates, vendor ID, etc.
- EEPROM security lock function
- User programmable custom Baud rates
- Integrated transceiver; no external resistors required
- Integrated clock; no external crystal required
- USB suspend states supported via SUSPEND pins

#### Asynchronous Serial Data Bus (UART)

- All handshaking and modem interface signals
- Data formats supported: 8, 7, 6, 5-bit; 1, 1.5, 2 Stop bits
- Parity: Odd, Even, Mark, Space, No Parity
- Baud rates: 300 bps to 1 Mbps
- 576-byte receive buffer; 640-byte transmit buffer
- Hardware and X-On/X-Off handshaking
- Event character support

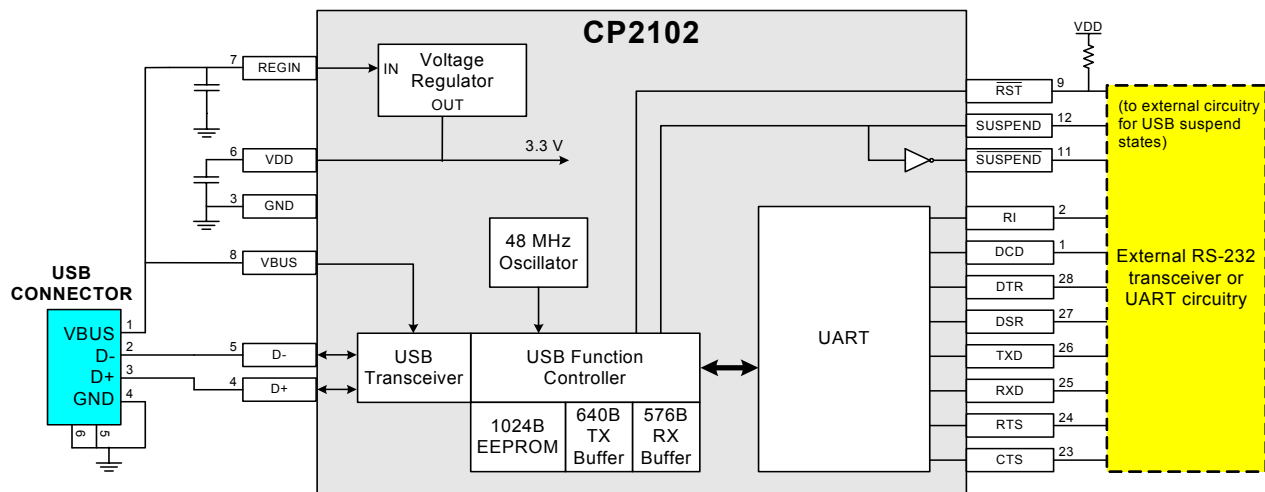
#### Power-On Reset Circuit

#### Package

- 28-pin QFN (lead-free package)

#### Ordering Part Number

- CP2102-GM



### Selected Electrical Specifications

( $T_A = -40$  to  $+85$  C°, VREGIN = 5.0 V unless otherwise specified unless otherwise specified)

PARAMETER	CONDITIONS	MIN	TYP	MAX	UNITS
Regulator Input Voltage (REGIN)		4.0		5.25	V
V <sub>DD</sub> (Regulator Output)		3.0	3.3	3.6	V
I <sub>DD</sub> (Regulator Output)			80		mA
Regulator Bias Current			70		μA
Supply Current (from REGIN)	USB active		26		mA
	USB suspend mode		330		μA

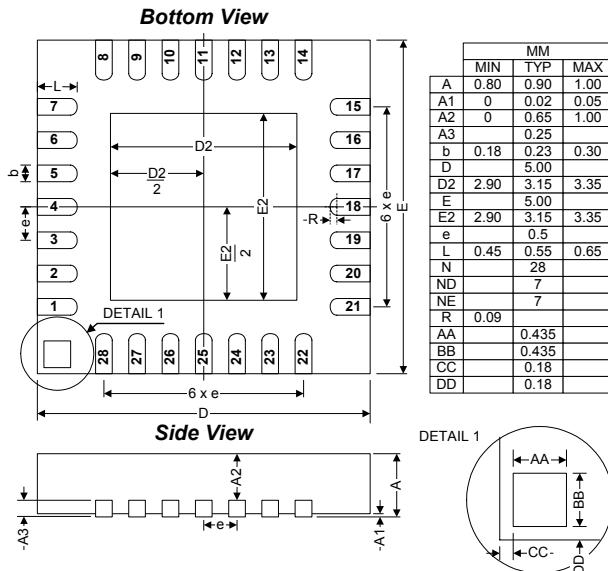
Pin Number	Signal
1	DCD
2	RI
3	GND
4	D+
5	D-
6	VDD
7	REGIN
8	VBUS
9	RST
11	SUSPEND
12	SUSPEND
23	CTS
24	RTS
25	RXD
26	TXD
27	DSR
28	DTR
10, 13, 14–22	No Connect

CP2102EK Evaluation Kit—A complete HW/SW demonstration of the CP2102 chip and associated software drivers.

The CP2102EK shown below includes the following:

- CP2102TB circuit board with USB connector, CP2102 chip, RS-232 transceiver, and DB-9 connector
- CD ROM with device drivers
- USB cable
- RS-232 cable

### Package Information



### CP2102EK Evaluation Kit

